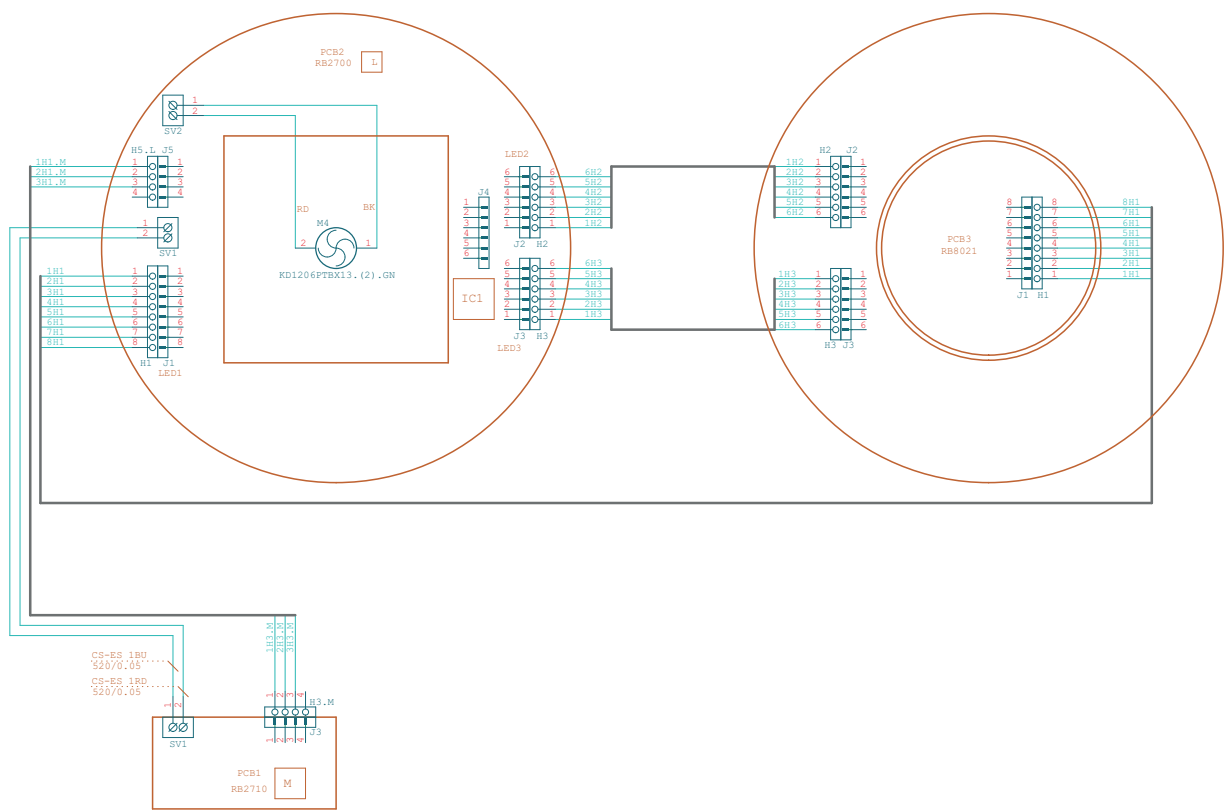
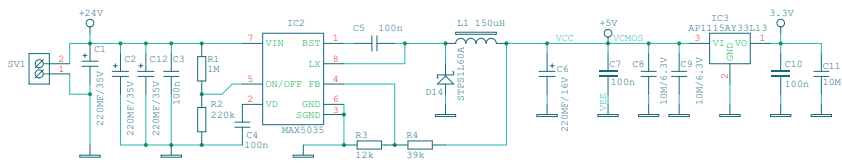
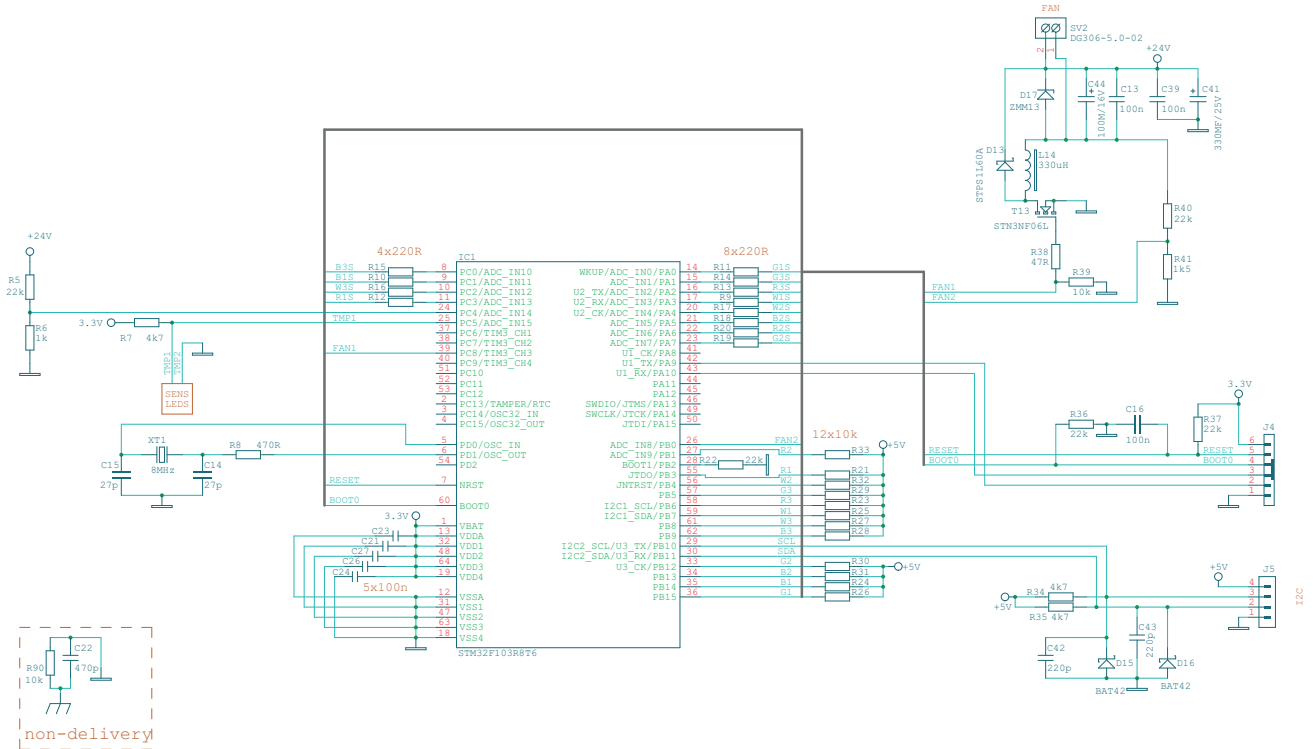


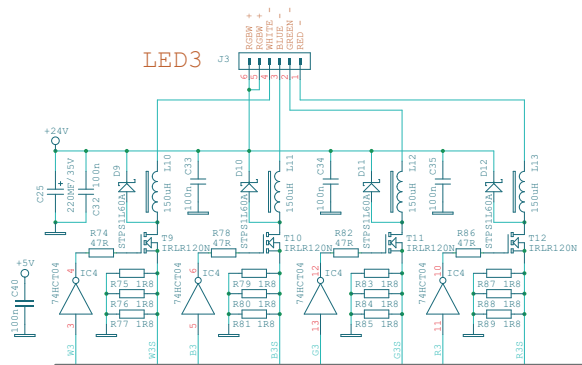
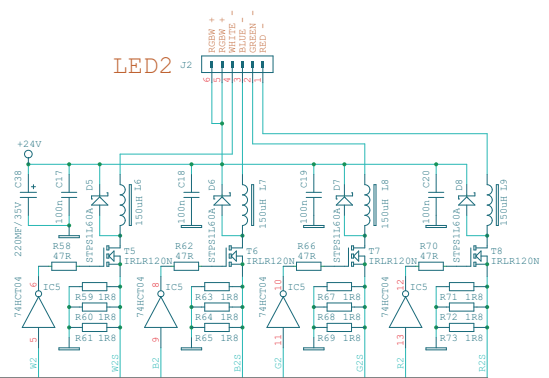
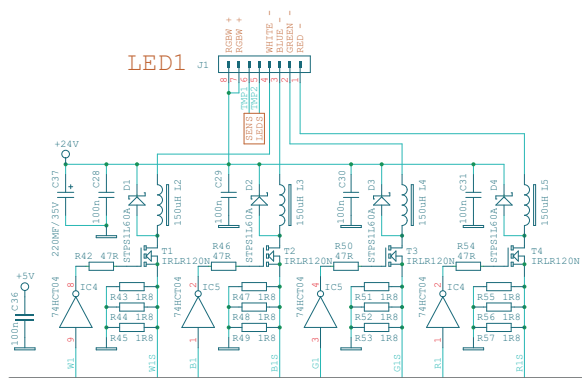
PRODUCT: Robin 100 LEDBeam		
TITLE: WIRING DIAGRAM		
DOCUMENT: Basic Section E1 V 1.1		
VERSION: 1	DATE: 24.05.2012	SHEET: 01 OF 08



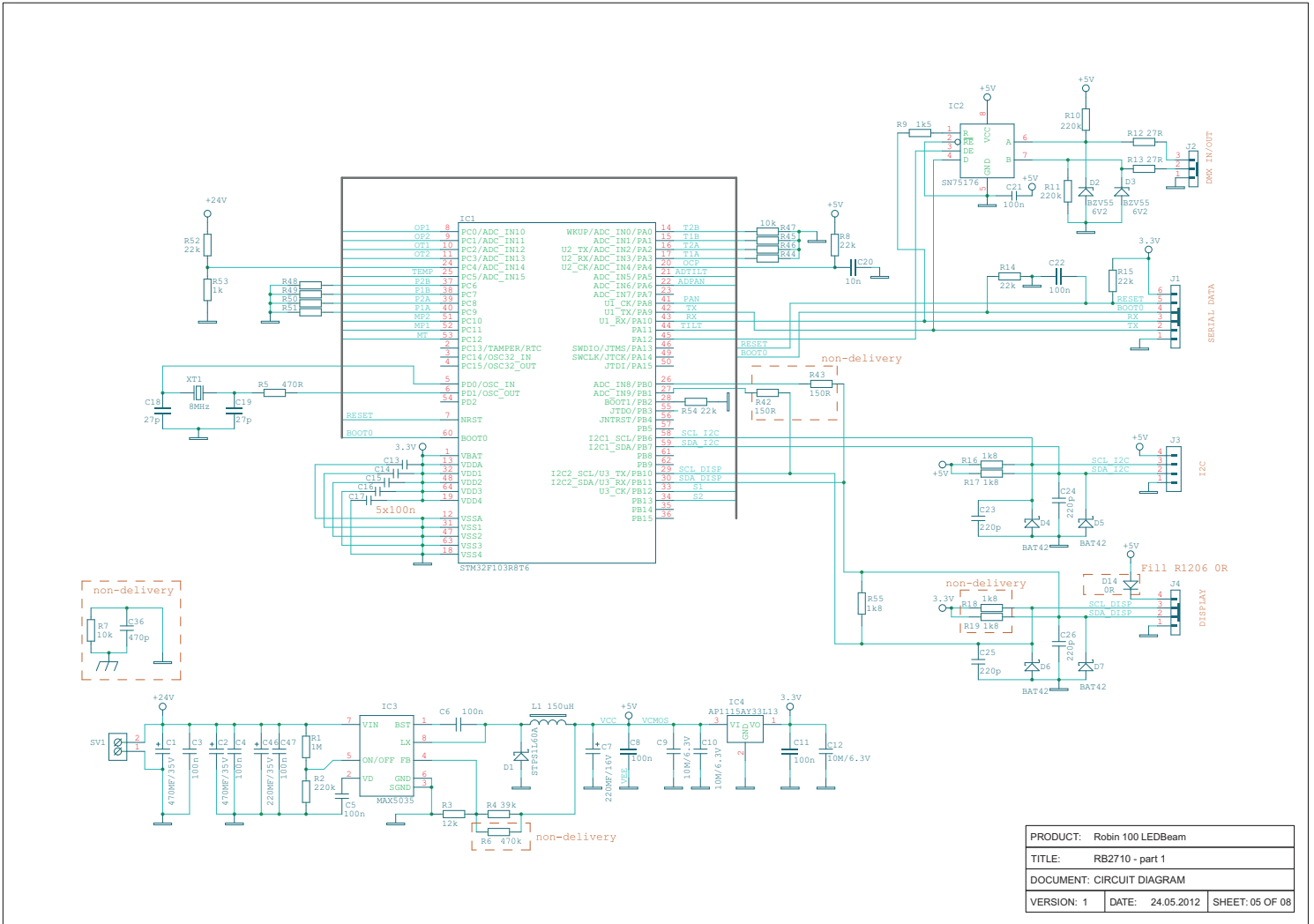
PRODUCT: Robin 100 LEDBeam		
TITLE: WIRING DIAGRAM		
DOCUMENT: Head Section E2 V 1.1		
VERSION: 1	DATE: 24.05.2012	SHEET: 02 OF 08



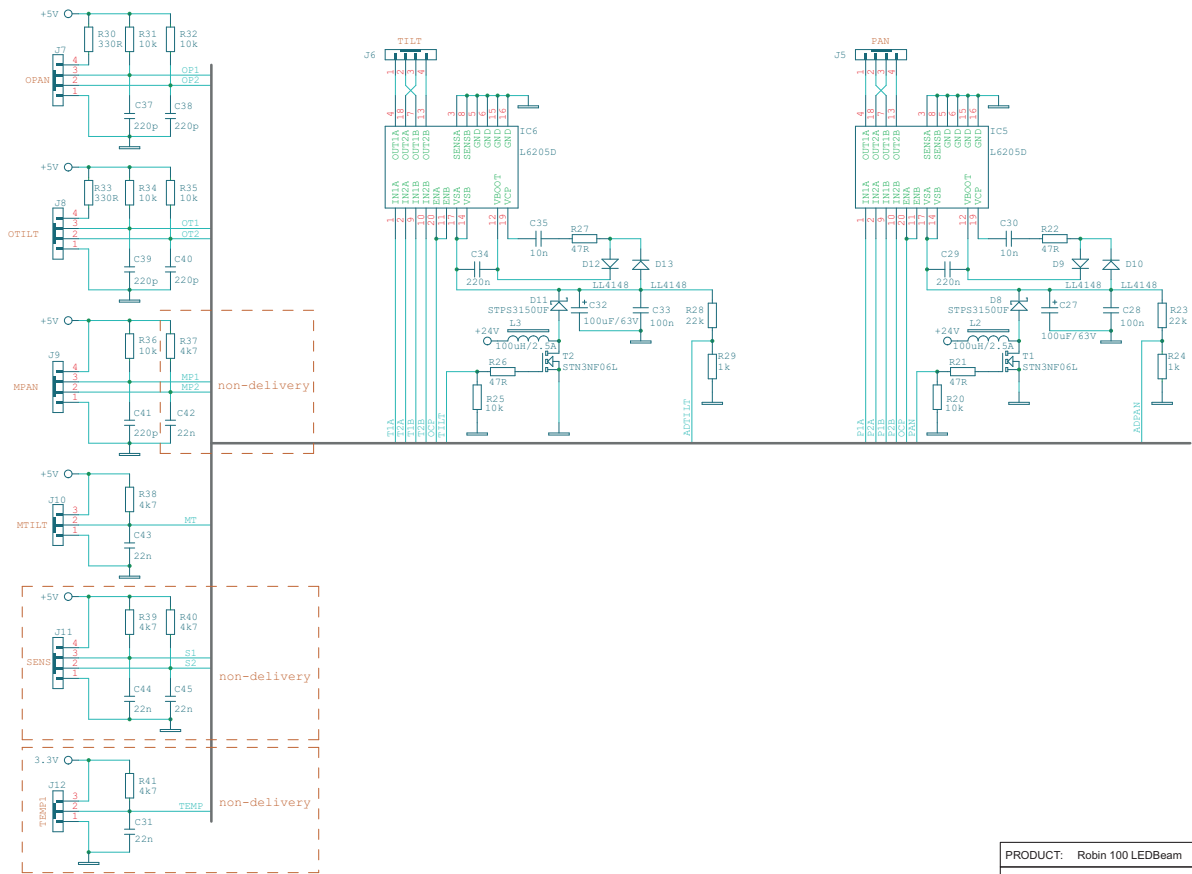
PRODUCT:	Robin 100 LEDBeam
TITLE:	RB2700 - part 1
DOCUMENT:	CIRCUIT DIAGRAM
VERSION:	1
DATE:	24.05.2012
SHEET:	03 OF 08



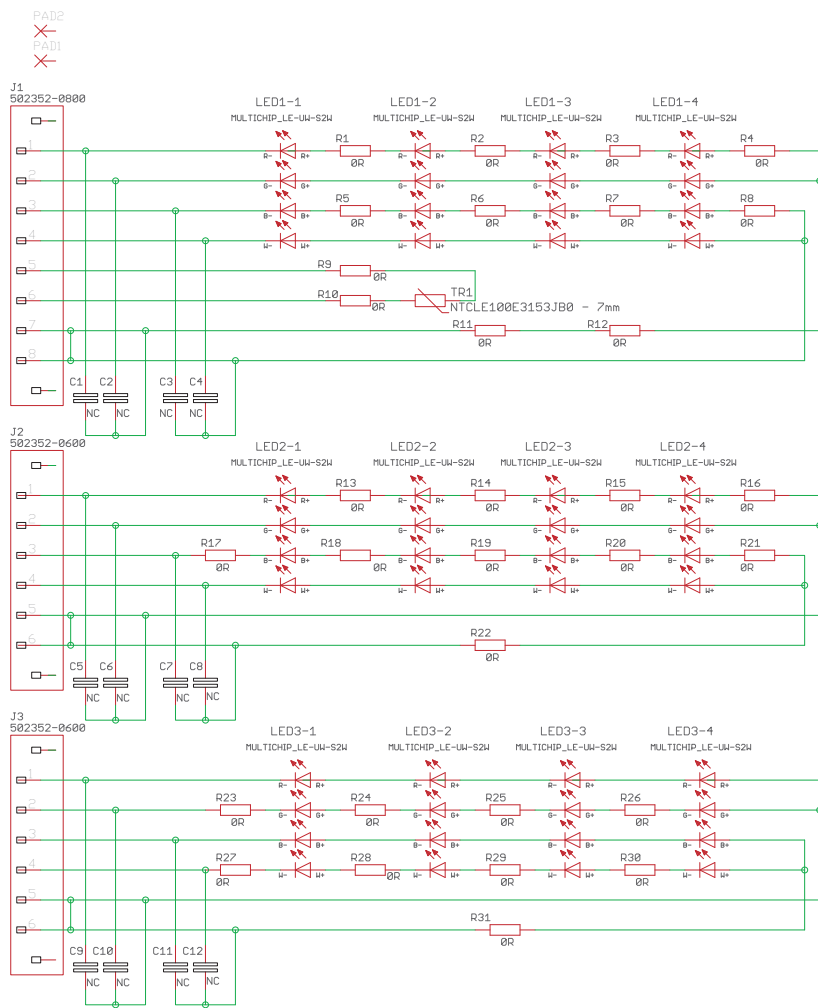
PRODUCT: Robin 100 LEDBeam		
TITLE: RB2700 - part 2		
DOCUMENT: CIRCUIT DIAGRAM		
VERSION: 1	DATE: 24.05.2012	SHEET: 04 OF 08



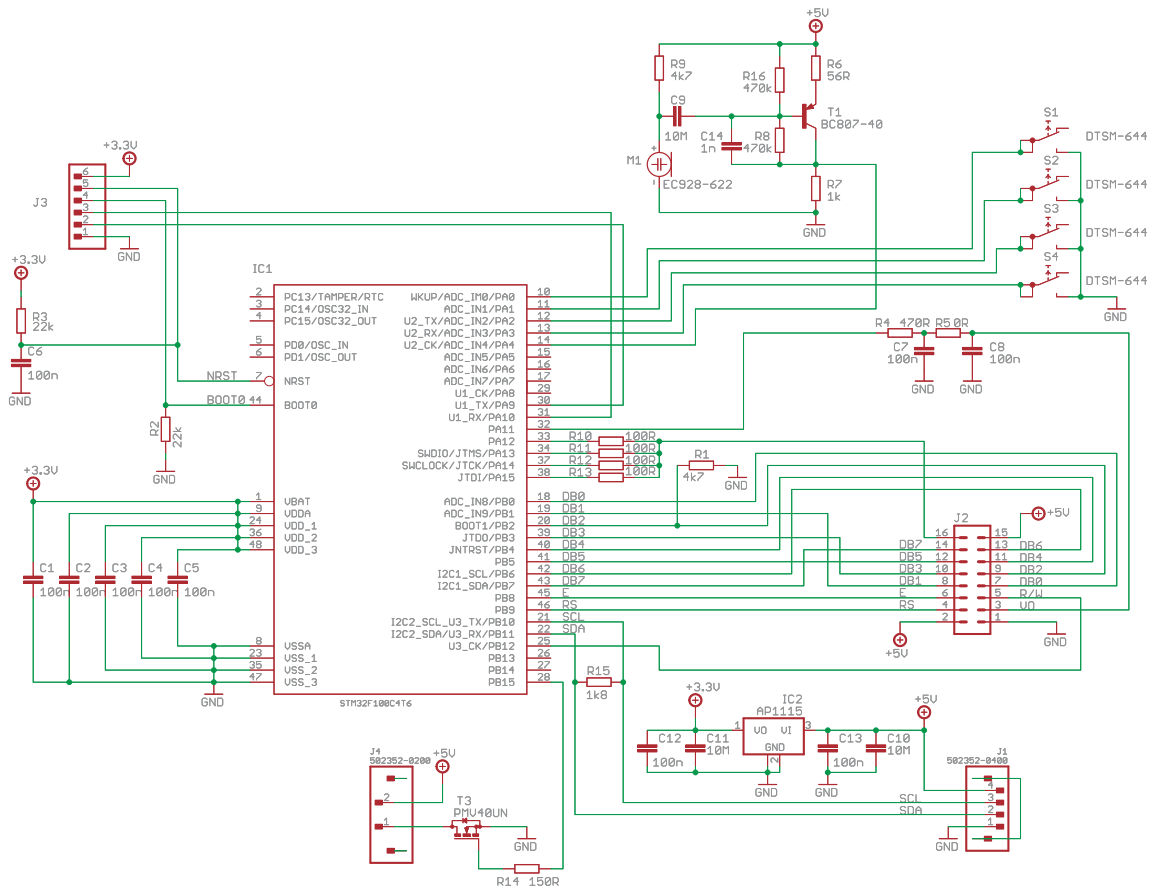
PRODUCT:	Robin 100 LEDBeam
TITLE:	RB2710 - part 1
DOCUMENT:	CIRCUIT DIAGRAM
VERSION:	1
DATE:	24.05.2012
SHEET:	05 OF 08



PRODUCT: Robin 100 LEDBeam		
TITLE: RB2710 - part 2		
DOCUMENT: CIRCUIT DIAGRAM		
VERSION: 1	DATE: 24.05.2012	SHEET: 06 OF 08



PRODUCT: Robin 100 LEDBeam		
TITLE: RB8021		
DOCUMENT: CIRCUIT DIAGRAM		
VERSION: 1	DATE: 24.05.2012	SHEET: 07 OF 08



non-delivery
C8,J3

PAD1
WIREPAD_1,2X1,2
PAD2
WIREPAD_1,2X1,2

PRODUCT:	Robin 100 LEDBeam		
TITLE:	RB2721-V2		
DOCUMENT:	CIRCUIT DIAGRAM		
VERSION:	1	DATE:	24.05.2012
		SHEET:	08 OF 08